



Installation & Owner's Manual

English

This Manual Covers the Following Models

BSF-150

BSF-180

Manufactured by:
ClairiTech Innovations Inc.
1095 Ohio Rd.
Boudreau-Ouest, NB
Canada E4P 6N4

Table of Contents

Table of Contents	1
Service and Warranty	2
FOR CUSTOMER ASSISTANCE.....	2
CONSUMER LIMITED WARRANTY	3
Pre-Installation	4
INCLUDED COMPONENTS	4
TOOLS REQUIRED FOR INSTALLATION	4
Installation.....	5
KEY INSTALLATION FACTS.....	5
INSTALLATION DIAGRAM.....	5
Unit Operations	6
THE CONTROLS	6
Specifications.....	7
TECHNICAL DATA.....	7
DIMENSIONS	7
SCHEMATIC OF WIRING.....	8

Service and Warranty

For Customer Assistance

To aid in answering questions if you call for service or warranty purposes, please record below the model and serial number located on the side of the unit.

Product Name:
Model #:
Date of Manufacturing:
Date of Purchase:
Serial #:
Dealer Name (If Any):

Please Note the above information before contacting us.

For the Following Inquiries:

- Service
- Parts
- Accessories
- Additional Customer Information

Please contact us by:

Phone: 1-888-533-1348

Email: support@clairitech.com

Website: www.humidex.com

IMPORTANT

To properly validate your warranty, you must fill out and return the warranty card as soon as possible. If your unit is not registered, a proof of purchase will be necessary should it require any services. You can also register your warranty online <http://www.clairitech.com/register>.

Consumer Limited Warranty

ClairiTech Innovations Inc. warrants to the first consumer that this product, when shipped in its original container, will be free from defective workmanship and materials, and agrees that it will, at its option, either repair the defect or replace the defective Product or part thereof with a new or remanufactured equivalent at no charge to the purchaser for the period(s) set forth below. The defective part must be returned to the manufacturer ClairiTech Innovations Inc. All transportation charges are the sole responsibility of the purchaser.

This warranty does not apply to any appearance items of the product nor to the additional excluded item(s) set forth below of which have been damaged, defaced, subjected to improper voltage, abnormal service or handling, or which has been altered or modified in design or construction.

In order to enforce the rights under this limited warranty, the purchaser must fill out and return the warranty card as soon as possible. If your unit is not registered, a proof of purchase will be necessary should it require any services.

Neither the sales personnel of the seller nor any other person is authorized to make any warranties other than those described herein, or to extend the duration of any warranties beyond the time period described herein on behalf of ClairiTech Innovations Inc.

The warranties described herein shall be the sole and exclusive warranties granted by ClairiTech and shall be the sole and exclusive remedy available to the purchaser. Correction of defects, in the manner and for the period of time described herein, shall constitute complete fulfillment of all liabilities and responsibilities of ClairiTech to the purchaser with respect to the Product, and shall constitute full satisfaction of all claims, whether based on contract, negligence, and strict liability or otherwise. In no event shall ClairiTech be liable, or in any way responsible, for any damages or defects in the Product which were caused by repairs or attempted repairs performed by anyone other than an authorized servicer, unless approved by ClairiTech in writing. Nor shall ClairiTech be liable or in any way responsible for any incidental or consequential economic or property damage.

Warranty Period for this product:	Ten (10) year on parts from date of purchase.
Additional Items Excluded From Warranty Coverage (If Any):	Appearance items of the product, Exterior vent and any printed material.
Where to obtain service:	From the Manufacturer. Refer to Page 2 for Contact Information

This warranty is non-transferable and applies to residential use only.

To obtain supply, accessory or product information, contact us.
Refer to Page 2 for Contact Information.

Pre-Installation

Included Components

Before installing your Humidex, make sure that you have the right model and accessories. The following items should be included in the accessory box. If parts are missing, contact our customer service at US 1-888-533-1348, Can. 1-800-416-9111.

1x Owner's Manual	6x #8 x 9/16" Screws
1x Warranty Card	4x #8 x 2" Screws
1x Universal Boot	4x #8 x 1/4" Truss Screws
4Ft. 6" Insulated Flex	2x 4" x 12" Toe Space Grill
2x Cable Ties	4x Plastic Anchors

Additional grilles for replenishment air and interior rooms not included.

Tools Required for Installation

- Electric reciprocal or hole saw 6 1/4"
- Drill with a 1/4" concrete bit
- Phillips or Robinson Screw Driver
- Measuring Tape
- Hammer
- Pencil

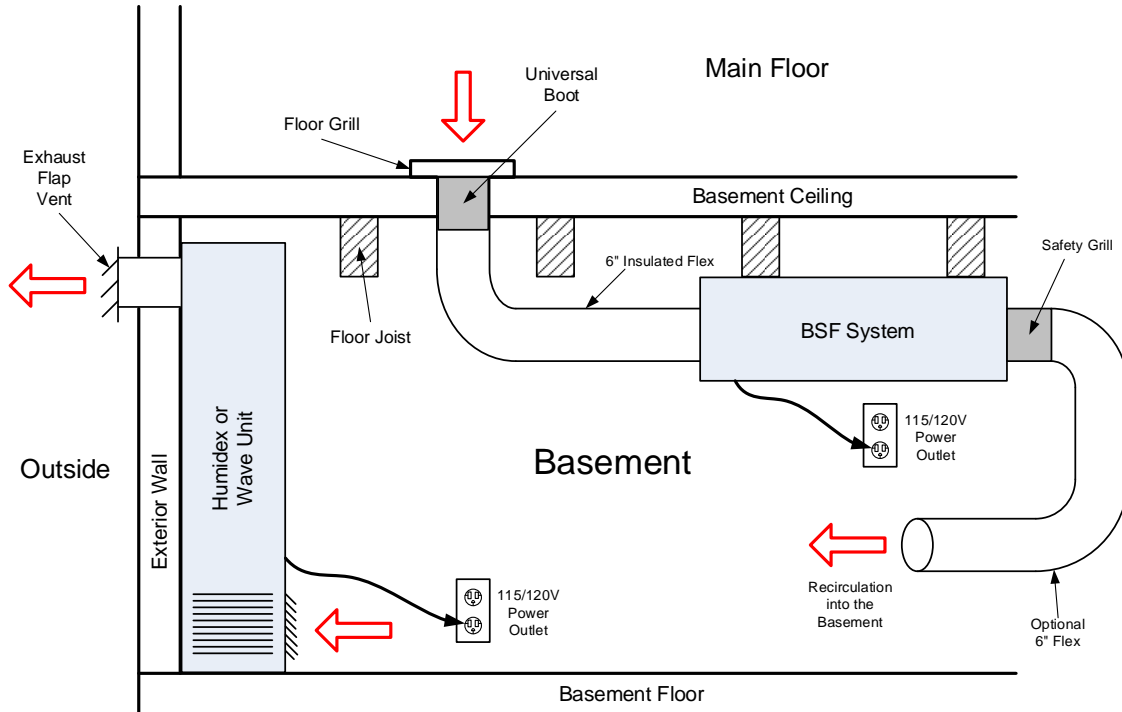
Installation

Key Installation Facts

- 1) To minimize noise propagation, install at least 6' of 6" insulated flex between the universal duct boot (connected to the floor register) and the BSF.
- 2) To further decrease noise propagation, 6' of insulated flex can be used on the exhaust side of the BSF. (Not Included)
- 3) Install the BSF as far away as possible from the Exhaust system (Wave or Humidex). If this cannot be done, please use 6" Flex to pipe the BSF away from the exhaust system.
- 4) If the building codes in your area require a backdraft damper to be installed, it must be placed on the exhaust side of the BSF to limit the impact on the total airflow thru the unit.
- 5) This unit is typically sold with an Exhaust system (Humidex or Wave). If this is the case, then this BSF system is made to replace your Replenishment vent required by the Exhaust system.

Installation Diagram

BSF-150 and BSF-180
Installation Diagram



Unit Operations

The Controls

The BSF system is equipped with a 3 position Switch. This switch is to select the maximum amount of airflow to be brought down to your basement or crawlspace.

	BSF-150	BSF-180
Low (Off)	55 CFM	55 CFM
Med	95 CFM	120 CFM
High	150 CFM	180 CFM

Ideally, the Booster fan speed should be matched with the speed utilized on your Humidex or Wave Exhaust system.

E.g. if your Humidex or Wave Exhaust system is set to Medium, then the BSF system should also be set to medium.

Note: In Cold basements, the BSF fan speed should start at low and be incremented slowly. This will prevent any temperature shock that will also stop condensation from forming and humidity from rising.

E.g. Basement is 60 °F, start the BSF system on Low and slowly bring it up to high after a few days.

For any concerns or questions on how to set up your BSF properly, please contact our support line at 1-888-533-1348.

Humidex BSF

Specifications

Technical Data

Model	Amps (A)	Watts (W)	Airflow (CFM)		
			Low	Med	High
BSF-150	0.26	31	55	95	150
BSF-180	0.26	31	55	120	180

All Units require a 115 VAC electrical outlet

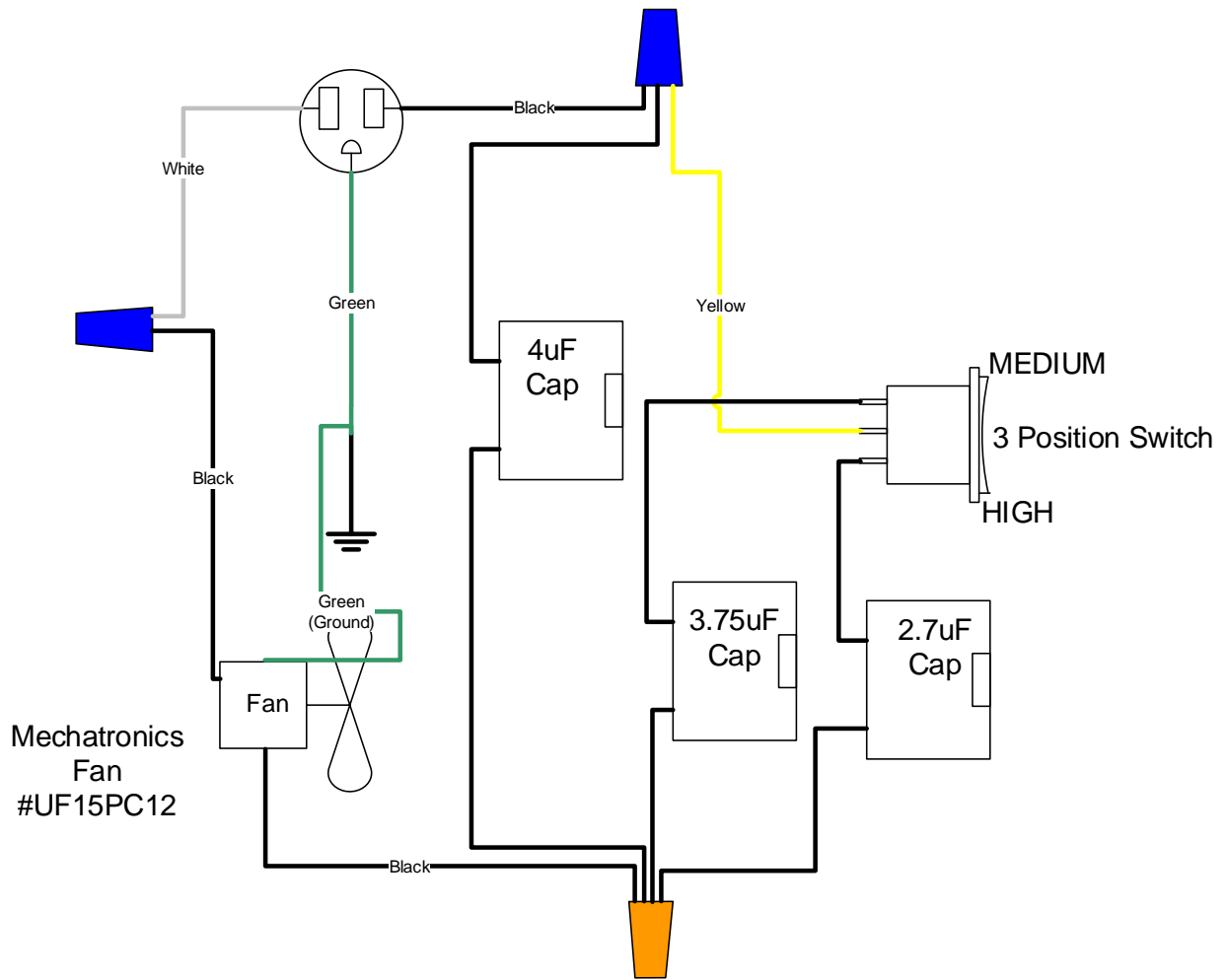
Dimensions

Model	Height (In.)	Width (In.)	Depth (In.)
BSF-150	11"	10.25"	7.25"
BSF-180	11"	10.25"	7.25"

Schematic of Wiring

Wiring Diagram for Model Numbers:
BSF-150

Revision 1.0



Humidex BSF

Wiring Diagram for Model Numbers:
BSF-180

Revision 1.0

